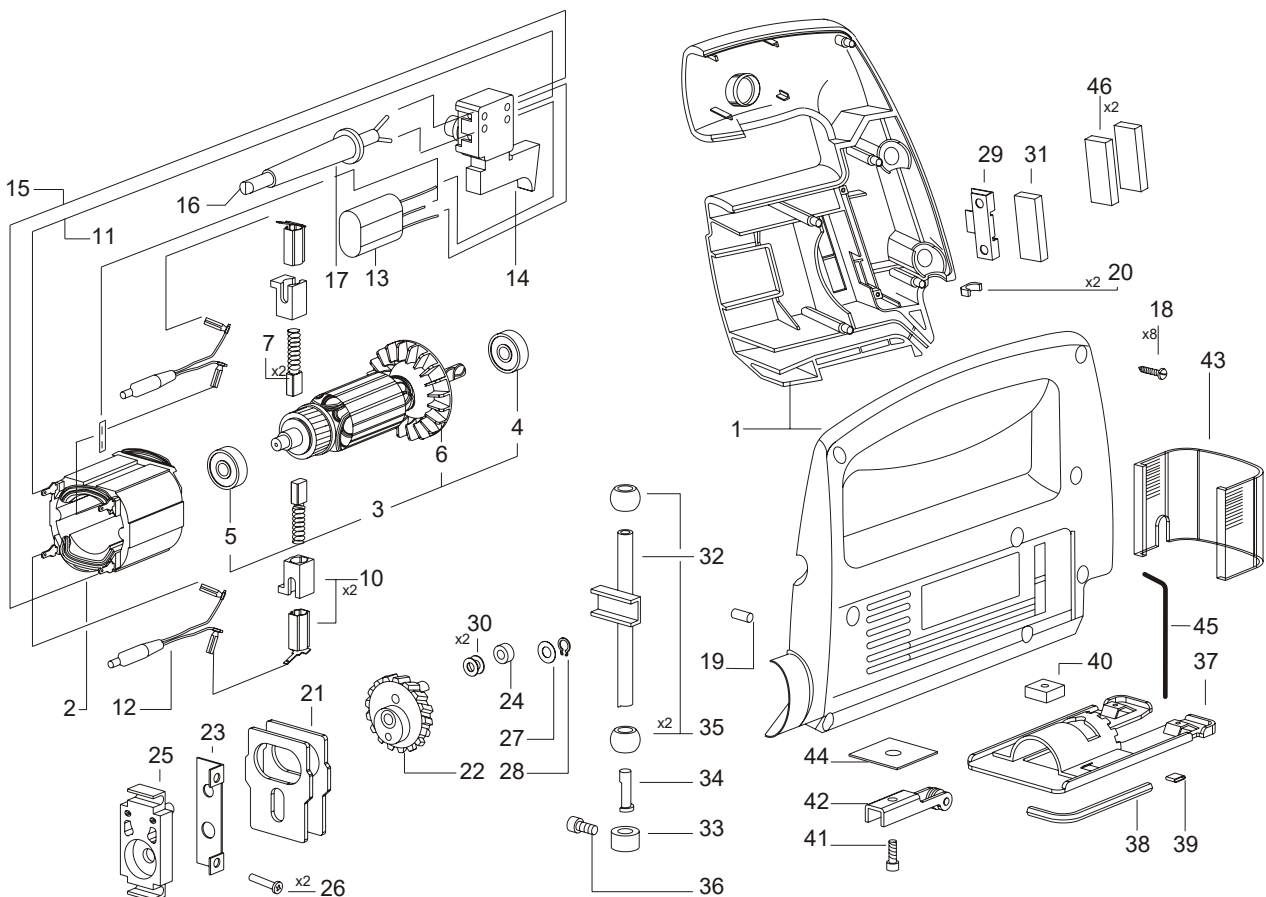


POS. No.	Ref.No.	Description	POS. No.	Ref.No.	Description
1	121288	Casing set	25	116685	Bearing shield
2	119669	Stator set	26	361407	Screw K5X30 TORX 20
3	127342	Armature set	27	116510	Spacer washer
4	330308	Bearing 6082ZP63LDS18	28	330219	Circlip 6X0,7
5	330287	Bearing 627-2ZP6LDS18	29	117595	Plate
6	126243	Fan	30	115871	Spacer washer
7	154138	Brush with a switch	31	117977	Gasket
7	154137	Brush	32	120914	Piston
10	126918	Brush holder set	33	116695	Locking bush
11	116728	Outlet	34	119975	Insert
12	116547	Choke	35	116709	Bearing
13	152856	Capacitor	36	300699	Screw
14	173403	Switch Defond SR26	37	175091	Base plate
15	118918	Outlet	38	606738	Spanner 4
16	116549	Cord with a plug	39	354019	PVC pipe
17	206687	Cord protector	40	116698	Nut
18	361328	Screw K4x18 TORX 20	41	360408	Screw M5X10/8.8
19	272960	Claming pin	42	116699	Support roller
20	116697	Gasket	43	116701	Screen
21	116689	Counterweight plates	44	123897	Insulation
22	116690	Gear set	45	152207	Pin from 01.05.2001
23	117714	Panel	46	152234	Gasket from 01.05.2001
24	116710	Bearing			



125971

175513